

Flat suction cup (round)

## SUF 12 SI-55 M5-AG



Art.-Nr.: 10.01.01.14166



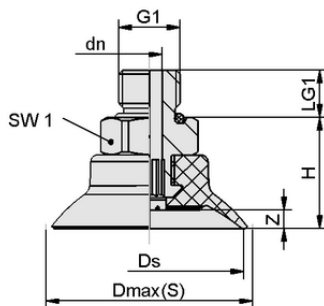
### Technical data

Attribute	Value
Suction cup material	Silicone SI
Material hardness [Shore A]	55.0 Shore A
Size	12.00
Vacuum connection	M5-M
Material characteristics	FDA-compatible

SUF 12 SI-55 M5-AG

Suction cup SUF (elastomer part + connector) is delivered assembled.

Available spare parts: suction cup SUF, connector SC



### Design data

Attribute	Value
Height H	13.60 mm
Nominal diameter dn	1.80 mm
Thread G1	M5-M
Thread length LG1	4.7 mm
Key width SW1	8.0 mm
Spring stroke Z	1.2 mm
Diameter Ds	12.0 mm
Diameter Dmax(S)	13.2 mm

Design data SUF 12 SI-55 M5-AG



[WWW.SCHMALZ.COM/10.01.01.14166](http://WWW.SCHMALZ.COM/10.01.01.14166)

1

Art.-Nr.: 10.01.01.14166

**Technical data**

Attribute	Value
Suction cup material	Silicone SI
Material hardness [Shore A]	55.0 Shore A
Hose inner diameter (recom.) d	2.0 mm
Workpiece radius min. (convex)	12.5 mm
Pull-off force	5.00 N
Suction force (-600mbar)	5.00 N
Weight	1.70 g
Volume	0.120 cm <sup>3</sup>
Size	12.00
Number of folds	0.0
Product family	SUF

Note: Suction force: The suction force values are theoretical values at -0.6 bar vacuum and a dry, smooth and even workpiece surface – they are specified without safety factors. Hose inner diameter: The recommended hose diameter refers to a hose length of approx. 2 m

**Further documentation**

CAD data and other documents relating to the article can be found at: [www.schmalz.com/10.01.01.14166](http://www.schmalz.com/10.01.01.14166)

**Ordering Data Spare Parts 10.01.01.14166**

Typ		Item number
Schmalz-Connector	SC 030 M5-AG	10.01.06.02802
Flat suction cup (round)	SUF 12 SI-55 SC030	10.01.01.13966

