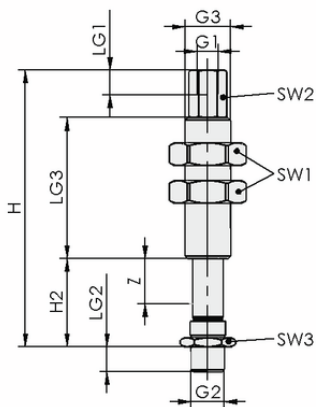


Art.-Nr.: 10.01.02.00867



FSTI G1/4-AG G1/8-IG 10 VG

The spring plunger FSTI is delivered as a ready-to-connect product.



Design data FSTI G1/4-AG G1/8-IG 10 VG

Technical data

Attribute	Value
Shape mounting elements	with anti-rotation guard
Spring stroke Z	10.0 mm
Suction cup connection	G1/4"-M
Vacuum connection	G1/8"-F
Tightening torque (max)	40.0 Nm

Design data

Attribute	Value
Height H2	19.50 mm
Height H	79.50 mm
Thread G1	G1/8"-F
Thread length LG1	12.0 mm
Thread G2	G1/4"-M
Thread length LG2	10.0 mm
Thread length LG3	41.0 mm
Key width SW1	27.0 mm
Spanner size SW2	13.0 mm
Spring stroke Z	10.0 mm

Art.-Nr.: 10.01.02.00867

**Technical data**

Attribute	Value
Spring force center	7.57 N
Spring rate	0.097 N/mm
Spring pretension	7.08 N
Horizontal load	500.0 N
Vertical load	1,000.0 N
Weight	150.0 g
Operating temperature	0 ... 80 °C
Product family	FSTI
Tightening torque (max)	40.0 Nm

Note: Spring force: Referred to 50 % of operating stroke Vertical loading: Maximum static loading Horizontal stress: The specification of the horizontal stress refers to the lower edge of the plunger with extended spring. It is a maximum static stress and it impairs the spring compression and extension in horizontal position

**Further documentation**

CAD data and other documents relating to the article can be found at: www.schmalz.com/10.01.02.00867



Art.-Nr.: 10.01.02.00867

**Ordering Data Accessories 10.01.02.00867**

Typ		Item number
Flexolink	FLK G1/4-IG G1/4-AG	10.01.03.00178
Flexolink	FLK G1/4-IG M10x1.25-AG	10.01.03.00206
Spring-plunger holder	HTR-FST A2 FSTI	10.01.03.06134
Spring-plunger holder	HTR-FST A3 FSTI	10.01.03.06136
Spring-plunger holder	HTR-FST 2N	10.01.03.06143
Universal holder	HTR-UNI 2N FSTI	10.01.03.00297
Ball joint	KGL G1/4-IG G1/4-AG	10.01.03.00110
Ball joint	KGL G1/4-IG M10x1.25-AG	10.01.03.00137
Hose sleeve	ST G1/8-AG 4 MS-ROH	10.08.03.00153
Hose sleeve	ST G1/8-AG 6 MS-V	10.08.03.00154
Hose sleeve	ST G1/8-AG 9 MS-V	10.08.03.00155
Plug union, straight	STV-GE G1/8-AG 4	10.08.02.00202
Plug union, straight	STV-GE G1/8-AG 6	10.08.02.00204
Plug union, straight	STV-GE G1/8-AG 6 HT	10.08.02.00389
Plug union, straight	STV-GE G1/8-AG 8	10.08.02.00206
Plug union, T	STV-T G1/8-AG 4	10.09.02.00039
Plug union, T	STV-T G1/8-AG 6	10.09.02.00040
Plug union, T	STV-T G1/8-AG 8	10.09.02.00041
Plug union, elbow	STV-W G1/8-AG 4	10.08.02.00156
Plug union, elbow	STV-W G1/8-AG 6	10.08.02.00288
Plug union, elbow	STV-W G1/8-AG 6	10.08.02.00158
Plug union, elbow	STV-W G1/8-AG 6 HT	10.08.02.00391
Plug union, elbow	STV-W G1/8-AG 8	10.08.02.00160
Plug union, elbow	STV-WF G1/8-AG 10	10.08.02.00257
Plug union, elbow	STV-WF G1/8-AG 4	10.08.02.00166
Plug union, elbow	STV-WF G1/8-AG 6	10.08.02.00168
Plug union, elbow	STV-WF G1/8-AG 8	10.08.02.00170

