

Art.-Nr.: 10.01.05.01053



Technical data

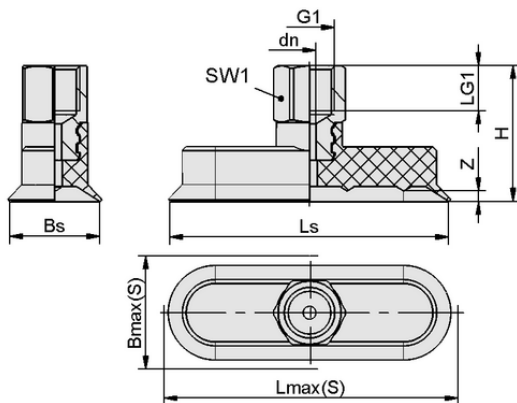
Attribute	Value
Suction cup material	Silicone SI-HD
Material hardness [Shore A]	65.0 Shore A
Connection	G1/8"-F
Dimension (LxW)	30x10
Nipple material	Aluminum

SGON 30x10 SI-HD-65 G1/8-IG

Suction cup SGON (elastomer part + connection nipple) is delivered unassembled. The delivery consists of:

- Suction cup of type SGO – elastomer part, available in various dimensions (LxW) and materials
- Connection nipple of type SA-NIP – available with various threads
- Cups of the size 24 x 8 mm and larger are delivered with a two-ear clamp

Available spare parts: suction cup SGO, connection nipple SA-NIP, two-ear clamp



Design data

Attribute	Value
Height H	25.00 mm
Nominal diameter dn	2.50 mm
Thread G1	G1/8"-F
Thread length LG1	9.0 mm
Key width SW1	14.0 mm
Spring stroke Z	1.5 mm
Suction cup width Bs	9.40 mm
Ls	29.40 mm
Lmax.(S)	30.50 mm
Bmax(S)	11.50 mm

Note: Acceptable dimensional tolerances for rubber parts concerning to DIN ISO 3302-1 M3.

Design data SGON 30x10 SI-HD-65 G1/8-IG



Art.-Nr.: 10.01.05.01053

**Technical data**

Attribute	Value
Suction cup material	Silicone SI-HD
Material hardness [Shore A]	65.0 Shore A
Hose inner diameter (recom.) d	4.0 mm
Workpiece radius min. (convex)	7.5 mm
Suction force (-600mbar)	12.20 N
Weight	7.5 g
Volume	0.516 cm ³
Number of folds	0.0
Product family	SGON

Note: Suction force: The suction force values are theoretical values at -0.6 bar vacuum and a dry, smooth and even workpiece surface – they are specified without safety factors. Hose inner diameter: The recommended hose diameter refers to a hose length of approx. 2 m

**Further documentation**

CAD data and other documents relating to the article can be found at: www.schmalz.com/10.01.05.01053

**Ordering Data Spare Parts 10.01.05.01053**

Typ		Item number
Flat suction cup (oval)	SGO 30x10 SI-HD-65 N022	10.01.05.01037
Suction cup connection nipple	SA-NIP N022 G1/8-IG DN350	10.01.05.00123
Two-ear clamp	ZOKL 11-13	10.07.10.00032

