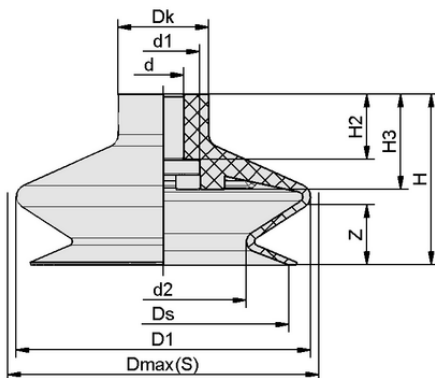




FGA 78 NBR-55 N019

## Technical data

Attribute	Value
Suction cup material	Nitrile rubber NBR
Material hardness [Shore A]	55.0 Shore A
Size	78.00
Number of folds	1.5



Design data FGA 78 NBR-55 N019

## Design data

Attribute	Value
Height H2	19.70 mm
Height H	47.00 mm
Outside diameter D1	83.0 mm
Head diameter Dk	24.7 mm
Internal diameter d1	21.8 mm
d2	54.0 mm
Internal diameter d	11.80 mm
Spring stroke Z	16.0 mm
Diameter Ds	74.0 mm
Height H3	31.40 mm

Note: Acceptable dimensional tolerances for elastomer parts concerning to DIN ISO 3302-1 M3

Art.-Nr.: 10.01.06.00133

**Technical data**

Attribute	Value
Suction cup material	Nitrile rubber NBR
Workpiece radius min. (convex)	70.0 mm
Suction force (-600mbar)	137.40 N
Weight	55.60 g
Size	78.00
Number of folds	1.5
Product family	FGA

Note: Suction force: The suction force values are theoretical values at -0.6 bar vacuum and a dry, smooth and even workpiece surface – they are specified without safety factors. Hose inner diameter: The recommended hose diameter refers to a hose length of approx. 2 m

**Further documentation**

CAD data and other documents relating to the article can be found at: [www.schmalz.com/10.01.06.00133](http://www.schmalz.com/10.01.06.00133)

**Ordering Data Accessories 10.01.06.00133**

Typ		Item number
Suction cup connection nipple	SA-NIP N019 G1/4-AG DN820	10.01.06.01959
Suction cup connection nipple	SA-NIP N019 G1/4-IG DN820	10.01.06.01960

