

Art.-Nr.: 10.01.06.00904

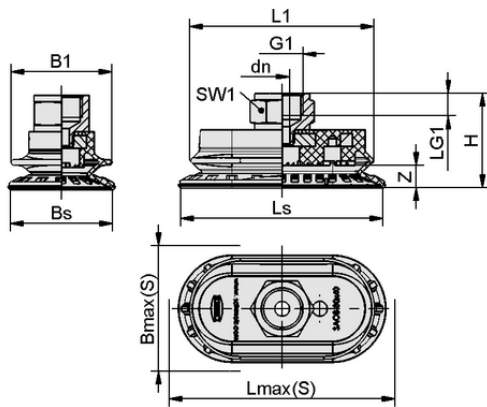


Technical data

Attribute	Value
Suction cup material	Nitrile rubber NBR
Material hardness [Shore A]	60.0 Shore A
Dimension (LxW)	60 x 30
Number of folds	1.5
Connection	G3/8-IG
Nipple material	Nickel plated

SAOB 60x30 NBR-60 G3/8-IG

Suction cup SAOB, available in various diameters, is delivered with connection nipple vulcanized to elastomer part.



Design data

Attribute	Value
Length L1	55.70 mm
Width B1	31.00 mm
Height H	35.00 mm
Nominal diameter dn	6.00 mm
Thread G1	G3/8"-F
Thread length LG1	9.0 mm
Key width SW1	22.0 mm
Spring stroke Z	7.0 mm
Suction cup width Bs	30.60 mm
Ls	60.60 mm

Note: Acceptable dimensional tolerances for elastomer parts concerning to DIN ISO 3302-1 M3

Design data SAOB 60x30 NBR-60 G3/8-IG

Art.-Nr.: 10.01.06.00904

**Technical data**

Attribute	Value
Suction cup material	Nitrile rubber NBR
Material hardness [Shore A]	60.0 Shore A
Hose inner diameter (recom.) d	4.0 mm
Workpiece radius min. (convex)	18.0 mm
Pull-off force	69.50 N
Suction force (-600mbar)	38.00 N
Weight	35.4 g
Dimension (LxW)	60 x 30
Lateral force	72.5 N
Lateral force oily surface	41.7 N
Volume	10.500 cm ³
Number of folds	1.5
Product family	SAOB

Note: Suction force: The specified suction forces are theoretical values at a vacuum of -0.6 bar and with a dry, smooth and even workpiece surface - they do not include a safety factor Lateral force: The specified lateral forces are values measured at a vacuum of -0.6 bar with a dry or oily, smooth, flat workpiece surface. Depending on the workpiece surface and its quality, the actual values may deviate from these values Hose diameter: The recommended hose diameter refers to a hose length of approx. 2 m

**Further documentation**

CAD data and other documents relating to the article can be found at: www.schmalz.com/10.01.06.00904

