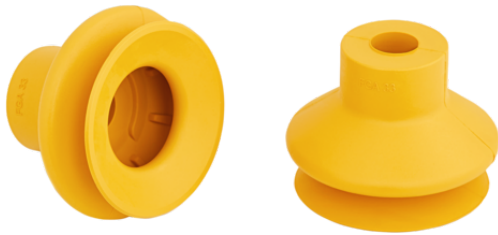


Bellows suction cup (round)

FGA 33 NBR-ESD-55 N018



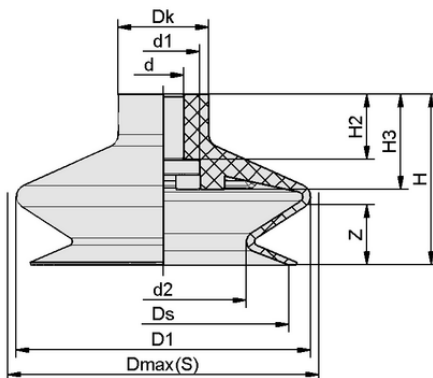
Art.-Nr.: 10.01.06.04456



Technical data

Attribute	Value
Suction cup material	Nitrile rubber NBR-ESD
Material hardness [Shore A]	55.0 Shore A
Size	33.00
Number of folds	1.5

FGA 33 NBR-ESD-55 N018



Design data

Attribute	Value
Height H2	13.00 mm
Height H	27.00 mm
Outside diameter D1	36.0 mm
Head diameter Dk	18.0 mm
Internal diameter d1	16.0 mm
d2	17.0 mm
Internal diameter d	8.00 mm
Spring stroke Z	9.0 mm
Diameter Ds	30.0 mm
Height H3	14.00 mm

Note: Acceptable dimensional tolerances for elastomer parts concerning to DIN ISO 3302-1 M3

Design data FGA 33 NBR-ESD-55 N018



WWW.SCHMALZ.COM/10.01.06.04456

Art.-Nr.: 10.01.06.04456

**Technical data**

Attribute	Value
Suction cup material	Nitrile rubber NBR-ESD
Workpiece radius min. (convex)	40.0 mm
Suction force (-600mbar)	13.60 N
Weight	7.30 g
Size	33.00
Number of folds	1.5
Product family	FGA

Note: Suction force: The suction force values are theoretical values at -0.6 bar vacuum and a dry, smooth and even workpiece surface – they are specified without safety factors. Hose inner diameter: The recommended hose diameter refers to a hose length of approx. 2 m

**Further documentation**

CAD data and other documents relating to the article can be found at: www.schmalz.com/10.01.06.04456

**Ordering Data Accessories 10.01.06.04456**

Typ		Item number
Suction cup connection nipple	SA-NIP N018 G1/4-AG DN440	10.01.06.01065
Suction cup connection nipple	SA-NIP N018 G1/4-IG DN440	10.01.06.01066

