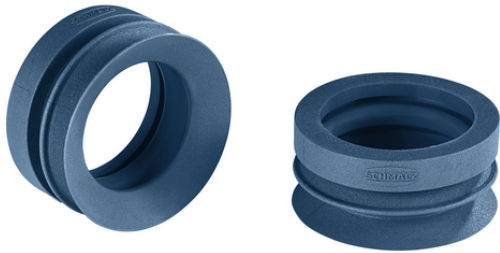


Bellows suction cup f SCG(S)-gripper
BCG 40 SI-MD-55 SC095



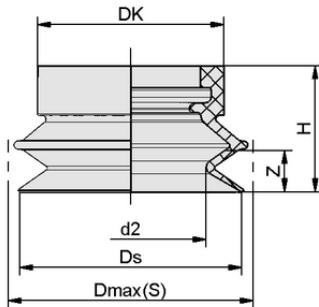
Art.-Nr.: 10.01.06.04560



Technical data

Attribute	Value
Suction cup material	Silicone SI metal detectable
Material hardness [Shore A]	55.0 Shore A
Size	40.00

BCG 40 SI-MD-55 SC095



Design data

Attribute	Value
Height H	19.50 mm
d2	26.0 mm
Spring stroke Z	6.5 mm
Diameter Ds	39.4 mm
Diameter Dmax(S)	42.0 mm

Design data BCG 40 SI-MD-55 SC095



Technical data

Attribute	Value
Suction cup material	Silicone SI metal detectable
Material hardness [Shore A]	55.0 Shore A
Weight	8.0 g



WWW.SCHMALZ.COM/10.01.06.04560

Bellows suction cup f SCG(S)-gripper
BCG 40 SI-MD-55 SC095



Art.-Nr.: 10.01.06.04560



Further documentation

CAD data and other documents relating to the article can be found at: www.schmalz.com/10.01.06.04560



WWW.SCHMALZ.COM/10.01.06.04560