

Art.-Nr.: 10.01.06.05532

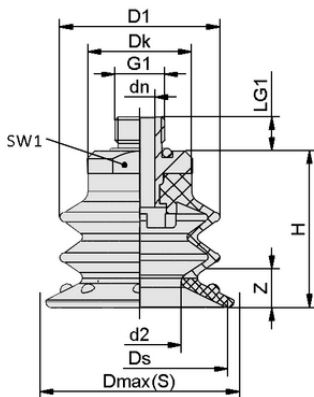


## Technical data

Attribute	Value
Suction cup material	Polyurethane PU
Material hardness [Shore A]	30.0 Shore A
Size	30.00
Number of folds	2.5
Material hardness	60.0 Shore A
Connection	G1/8-AG

SDC2 30 PU 30/60 G1/8-AG

The suction cup SDC2 , available in various diameters, is supplied with the connection nipple assembled.



Design data SDC2 30 PU 30/60 G1/8-AG

## Design data

Attribute	Value
Height H	21.30 mm
Outside diameter D1	25.5 mm
Head diameter Dk	16.5 mm
Nominal diameter dn	4.00 mm
d2	14.4 mm
Thread length LG1	7.5 mm
Key width SW1	13.0 mm
Spring stroke Z	10.5 mm
Diameter Ds	28.0 mm
Height H3	8.60 mm

Art.-Nr.: 10.01.06.05532

**Technical data**

Attribute	Value
Suction cup material	Polyurethane PU
Material hardness [Shore A]	30.0 Shore A
Hose inner diameter (recom.) d	6.0 mm
Workpiece radius min. (convex)	12.5 mm
Pull-off force	22.50 N
Suction force (-600mbar)	9.80 N
Volume	4.500 cm <sup>3</sup>
Size	30.00
Temperature resistance	55.0 °C
Number of folds	2.5
Material hardness	60.0 Shore A
Connection	G1/8-AG

Note: Suction force: The suction force values are theoretical values at -0.6 bar vacuum and a dry, smooth and even workpiece surface – they are specified without safety factors. Hose inner diameter: The recommended hose diameter refers to a hose length of approx. 2 m

**Further documentation**

CAD data and other documents relating to the article can be found at: [www.schmalz.com/10.01.06.05532](http://www.schmalz.com/10.01.06.05532)

**Ordering Data Spare Parts 10.01.06.05532**

Typ		Item number
Bellows suction cup 2C (round)	SDC2 30 PU 30/60 N042	10.01.06.03366
Suction cup connection nipple	SA-NIP N042 G1/8-AG DN400	10.01.06.03370

